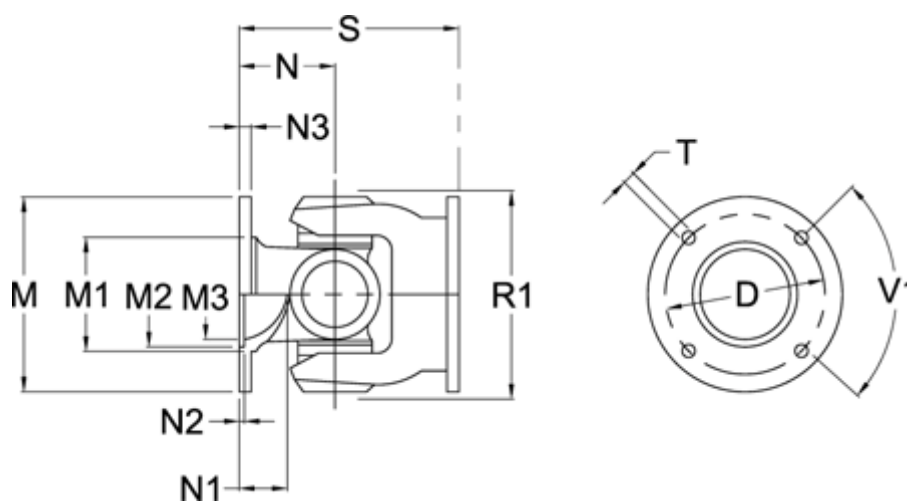


Article number: 07158405001

Description: Universal joint single 0.158.405.001  
S=180 X= Bore with keyway

## Measures



D	= 130 $\pm$ 0,1	N2	= 3 0,5
Flange diameter M	= 150	N3	= 12
M1	= 104	Number og Flangeholes	= 8
M2	= 90	R1	= 150
M3	= 84	S min	= 180
Max. Bending Angle degrees	= 35	T	= 12 B12
N	= 90	V1 degrees	= 45
N1	= 25		